



FOR APPROVAL

承认书

产品名称/Type	LED 电源
产品型号/Model	ELP050C1000LS
输入电压/Input voltage	<input type="checkbox"/> 100-120VAC <input checked="" type="checkbox"/> 220-240VAC <input type="checkbox"/> 其他 _____
输出模式/Out Type	<input checked="" type="checkbox"/> 恒流/C.C <input type="checkbox"/> 恒压/C.V
绝缘等级/Insulation	<input type="checkbox"/> Class I <input checked="" type="checkbox"/> Class II
防护等级/IP Class	<input checked="" type="checkbox"/> IP20 <input type="checkbox"/> IP65 <input type="checkbox"/> IP_____
安装方式/Installation	<input checked="" type="checkbox"/> 独立式 <input type="checkbox"/> 内装式
RoHS	符合欧盟 ROHS 要求

客户/CUSTOMER	
客户编/PART NO.	
客户认可回签(章) AUTHORIZED SIGNATURE &COMPANY CHOP	

编制/DESIGN	李蔚	日期 2011.05.24
批准/APPROVAL	熊川高	日期 2011.05.24


EAGLERISE ELECTRIC & ELECTRONIC (CHINA) CO., LTD.

Add: Guicheng Sci-Tech Industrial Park, Jianping Road, Nanhai District, Foshan City, Guangdong Province, P.R. China

Tel: (0757) 86256767 Fax: (0757) 86256780

DZ-YF3-002-02D

一. KEY FEATURES (产品特点)

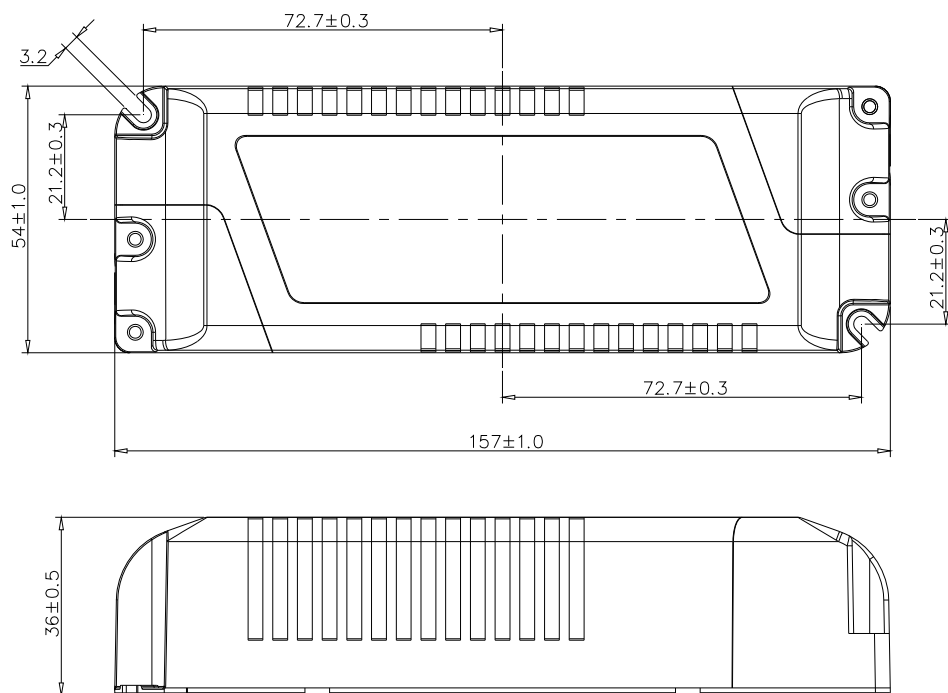
<p>▲Universal Input(220-240VAC) (交流输入电压 220-240V)</p> <p>▲Protections: short circuit/over load/over voltage/over temperature (保护功能: 短路/输出过载/输出过压/过温)</p> <p>▲IP20 Protection Grade (IP20 防护等级)</p> <p>▲Power Factor(功率因数) PF\geq0.95</p> <p>▲High Efficiency (效率) \geq88%</p>	<p>Picture(产品图片)</p> 
---	---

二.ELECTRICAL SPECIFICATIONS (电气规格)

类别	Item 项目	技术指标
Input (输入特性)	Voltage(输入电压范围)	220-240V
	Frequency(Hz) (输入频率范围)	47-63 Hz
	Power Factor(功率因数)	PF \geq 0.95(230VAC) @Full Load and Typical Output Voltage
	Current(Full load) (输入电流在输出满载时)	0.28A MAX.(230VAC)
	Inrush Current (浪涌电流)	10A MAX.(230VAC)
	Leakage Current(漏电流)	<0.5mA/230VAC
Output (输出特性)	Constant current (恒流)	1A
	Current Accuracy (电流精度) Note. 2	\pm 6%
	Voltage rang (输出电压范围)	25-50V
	Load range(负载范围)	25-50W
	Line Regulation(电压调整率)	\pm 5%
	Load Regulation(负载调整率)	\pm 5%
	Efficiency (效率)	\geq 88%
	Current Ripple (电流纹波) Note. 3	400mAp-p
Dimming (调光)	Dimming	NA
	Dimming mode(调光模式)	NA
Protection (保护特性)	Over Load(输出过载)	108-110%rated output power
		Protection type: Auto recovery (保护类型: 自动恢复)
	Over Voltage Protection(输出过压)	55-58V
		Protection type :Auto recovery (保护类型: 自动恢复)
	Short circuit Protection(短路)	自动恢复
		Protection type: Auto recovery (保护类型: 自动恢复)
Over Temperature(过温)	OTP \geq 135	
	Protection type: Auto recovery (保护类型: 自动恢复)	
withstand voltage(耐压)	Input-Output(V.AC)(输入-输出)	3750V/ 1min
	Output-Crust(V.AC)(输出-外壳)	3750V/ 1min

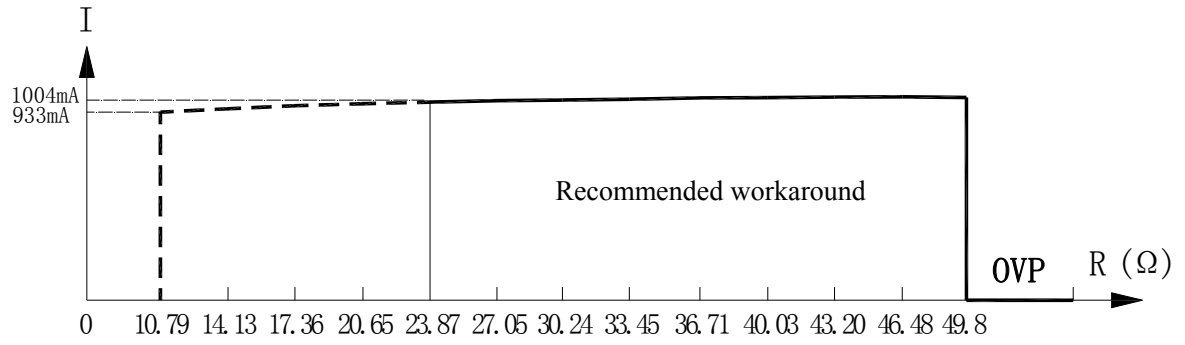
Isolation resistance (绝缘阻抗)	Input-Output, Input-FG, Output-FG:100Mohms/500vdc/25°C/70%RH	
Environment/ life (环境特性/寿命)	Operating Temperature(工作温度)	5°C...+50°C (Refer to output load derating curve)
	Storage Temperature(存储温度)	-10°C...+60°C
	Humidity(湿度)	10%-95%RH
	Lifetime(寿命)	> 50,000h @25°C
feature (特征)	Dimension (尺寸)(LXWXH)	157*54*36(LXWXH)mm
	Weight(重量)	210g
Safety & EMC (安规与电磁兼容)	Approval (认证)	CE
	Safety standards (安全标准)	EN 61347-1; EN61347-2-13 EN60598-1; EN60598-2-6
	EMS Immunity(电磁抗干扰)	EN61547
	Harmonic current(谐波电流)	EN61000-3-2
	EMI(Conducted & Radiated Emission) (传导与辐射干扰)	EN 55015
Note (备注)	<p>1:All parameters NOT specially mentioned are measured at 230VAC input, rated and 25°C of ambient temperature(所有的参数无特别说明的都是在额定的输入交流 230V 和 25°C 的环境温度下测得。</p> <p>2. The Accuracy is the total Accuracy which Comprises the Line Regulation ,Load Regulation and Error (此精度包含了电压调整率、负载调整率以及设计误差)</p> <p>3.Ripple & Noise are measured at 20MHz of bandwidth by using a 300mm twisted pair-wire terminated with a 0.1uf & 47 uf parallel capacitor.(纹波与噪声测试的标准: 用双绞线测试在 300mm 处并联 0.1uf 与 47 uf 的电容,示波器用 20MHz 带宽。</p>	

三. MECHANICAL SPECIFICATIONS (机械规格)



四. Function Curve(功能曲线)

A. Output Curve(I-R)



B. Output Curve(I-U)

